

# Charlton®



**WARNING:** Read these instructions before using the machine

## HOT WASHER

### MODEL NO: HARRY

PART NO: 7320180

## OPERATION & MAINTENANCE INSTRUCTIONS



ORIGINAL INSTRUCTIONS

LS0119 - ISS 1

---

## INTRODUCTION

---

Thank you for purchasing this CLARKE Hot Washer.

The machine has been designed to use hot or cold water to clean any surfaces which can stand the force of the high pressure water jet and the action of the detergents used.

The machine must only be used for the purpose for which it was designed.

Before attempting to use this product, please read this manual thoroughly and follow the instructions carefully. In doing so you will ensure the safety of yourself and that of others around you, and you can look forward to your purchase giving you long and satisfactory service.

---

## GUARANTEE

---

This product is guaranteed against faulty manufacture for a period of 12 months from the date of purchase. Please keep your receipt which will be required as proof of purchase.

This guarantee is invalid if the product is found to have been abused or tampered with in any way, or not used for the purpose for which it was intended.

Faulty goods should be returned to their place of purchase, no product can be returned to us without prior permission.

This guarantee does not effect your statutory rights.

---

## ENVIRONMENTAL PROTECTION

---



Through purchase of this tool, the customer is taking on the obligation to deal with the WEEE in accordance with the WEEE regulations in relation to the treatment, recycling & recovery and environmentally sound disposal of the WEEE.

In effect, this means that this tool must not be discarded with general waste. Refer to the laws governing Waste Electrical and Electronic Equipment (WEEE) at a recognised disposal facility.

---

# GENERAL SAFETY RULES

---



**WARNING: WATER AT HIGH PRESSURE CAN BE DANGEROUS AND CAN CAUSE DAMAGE IF THE OPERATOR IS CARELESS. NEVER ALLOW ANYONE TO OPERATE THIS PRESSURE WASHER UNLESS THEY ARE FAMILIAR WITH THE SAFETY PRECAUTIONS.**

---

1. **NEVER** direct the spray towards any person or animal.
2. **NEVER** direct the spray towards electrical wiring or equipment.
3. **NEVER** hold your finger over the high pressure nozzle.
4. **NEVER** allow children or untrained personnel to use this machine.
5. **NEVER** operate the machine with any of the covers removed.
6. **NEVER** attempt any repairs to this machine. Always refer to your Clarke dealer.
7. **NEVER** supply any liquid other than water to the water inlet.
8. **NEVER** use the detergent bottle to introduce flammable liquids/solvents, e.g. paint thinners, petrol, oil as there is a risk of explosion.
9. **NEVER** direct the jet at electrical equipment or the machine itself.
10. **NEVER** use the pressure washer if the power cable or important parts of the machine are damaged.
11. **ALWAYS** release any residual pressure in the system by turning off the water supply and operating the trigger before disconnecting any hose or accessory.
12. **ALWAYS** keep the machine itself dry and well clear of water spray.
13. **ALWAYS** wear protective clothing and safety glasses. Loose particles and other debris may be propelled at high speed by the water jet.
14. **ALWAYS** grip the gun firmly and expect the spray gun to 'kick' when starting.
15. **ALWAYS** respect the requirements of the local water company. Pressure washers may only be connected to the mains drinking water supply, if a system separator (known as a backflow preventer) is installed in the supply hose.
16. **ALWAYS** disconnect from the water supply and ensure the system is completely drained when not in use. Store in a cool dry location.
17. **ONLY** use chemical cleaning agents (detergents), that are approved for pressure washers. CLARKE Traffic Film Remover or CLARKE Wash and Wax (available from your dealer), is recommended.
18. **WARNING:** High pressure water jets can be dangerous if subject to misuse. The jet must not be directed at a person or anything that they are wearing.
19. **WARNING:** High pressure hoses, fittings and couplings are important for the safety of the machine. Only use hoses, fittings and couplings recommended by the manufacturer.
20. **WARNING:** Water that has flowed through a system separator (known as a backflow preventer) is considered non-drinkable.

# ELECTRICAL CONNECTIONS



**WARNING: READ THESE ELECTRICAL SAFETY INSTRUCTIONS THOROUGHLY BEFORE CONNECTING THE PRODUCT TO THE MAINS SUPPLY.**

Before switching the product on, make sure that the voltage of your electricity supply is the same as that indicated on the rating plate. This product is designed to operate on 230VAC 50Hz. Connecting it to any other power source may cause damage.

This product may be fitted with a non-rewireable plug. If it is necessary to change the fuse in the plug, the fuse cover must be refitted. If the fuse cover becomes lost or damaged, the plug must not be used until a suitable replacement is obtained.

If the plug has to be changed because it is not suitable for your socket, or due to damage, it should be cut off and a replacement fitted, following the wiring instructions shown below. The old plug must be disposed of safely, as insertion into a mains socket could cause an electrical hazard.

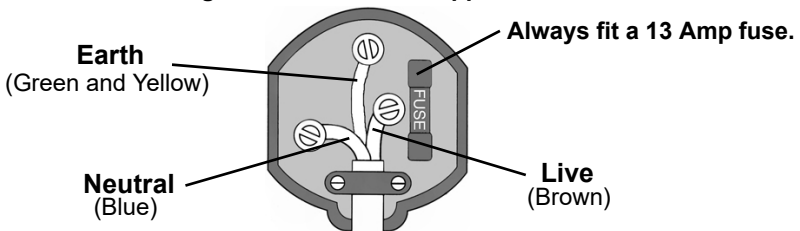


**WARNING: THE WIRES IN THE POWER CABLE OF THIS PRODUCT ARE COLOURED IN ACCORDANCE WITH THE FOLLOWING CODE:  
BLUE = NEUTRAL    BROWN = LIVE    YELLOW AND GREEN = EARTH**

If the colours of the wires in the power cable of this product do not correspond with the markings on the terminals of your plug, proceed as follows.

- The blue wire must be connected to the terminal which is marked **N**.
- The brown wire must be connected to the terminal which is marked **L**.
- The yellow and green wire must be connected to the terminal which is marked **E** or

**Plug must be BS1363/A approved.**



**Ensure that the outer sheath of the cable is firmly held by the clamp**







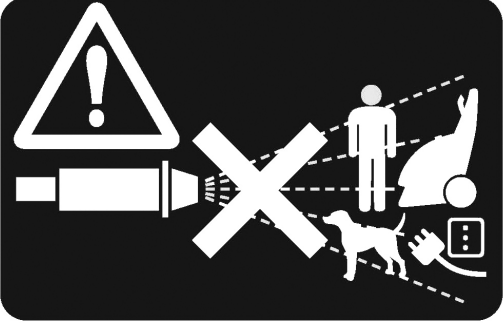
**We strongly recommend that this machine is connected to the mains supply via a Residual Current Device (RCD).**

## EXTENSION CABLES

If an extension cable is used, always ensure it is fully unwound. When used outdoors, ensure that the extension cable is specifically designed for outdoor use. Ensure that the cable is rated for the voltage and amperage of the machine.

**If in any doubt, consult a qualified electrician. DO NOT attempt any repairs yourself.**

## SYMBOLS ON THE MACHINE

	<p>Read the manual before use.</p>		<p>Failing to follow these instructions could result in injury or damage to the machine.</p>
	<p>Conforms to CE Regulations.</p>		<p>Wear safety glasses when using this machine.</p>
	<p>Hot Surface Do Not Touch</p>		<p>Respiratory Hazard. Always Wear Protection.</p>
			<p>The high pressure jet must not be directed at persons, animals, live electrical equipment or at the appliance itself.</p>

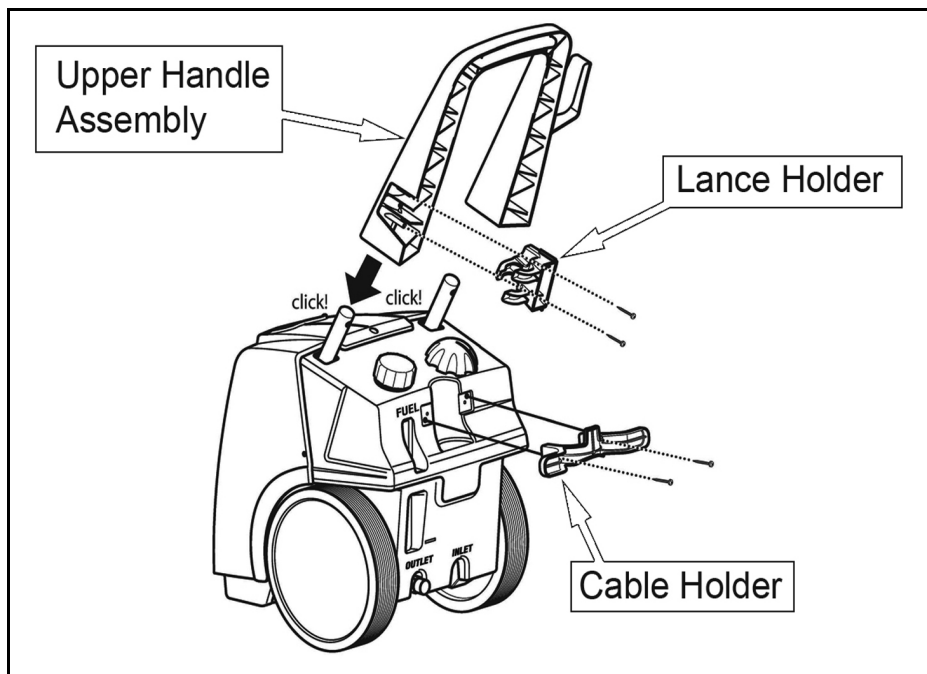
# ASSEMBLY

1. Remove all items from the carton.
  - The following items should be supplied. If any parts are missing or damaged, please see your Clarke dealer.

1 x High Pressure Cleaner	1 x Gun Assembly
1 x Upper Handle Assembly	1 x Lance & Nozzle Assembly
1 x Lance Holder and 2 Fixing Screws	1 x Detergent Bottle
1 x Cable Holder and 2 Fixing Screws	1 x Hose Adaptor and Water Inlet Filter
1 x High Pressure Hose (8 metre)	1 x Nozzle Clearing Pin

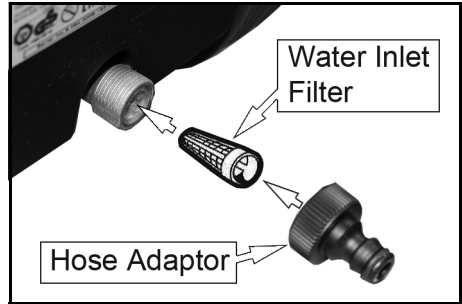
## ATTACH THE HANDLE

1. Push the upper handle onto the pins as shown until it clicks into place.
2. Fit the lance holder and cable holder as shown below using the fixing screws supplied.



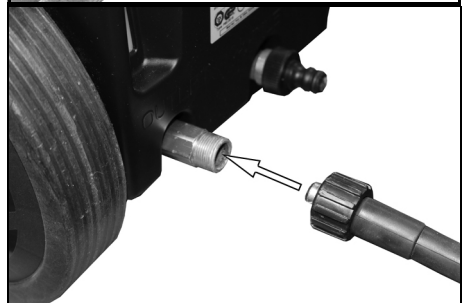
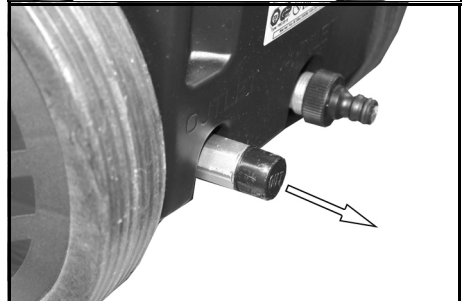
## CONNECT THE HOSE ADAPTOR

1. Insert the Water inlet filter into the water inlet,
2. Screw the supplied hose adaptor onto the water inlet as shown.

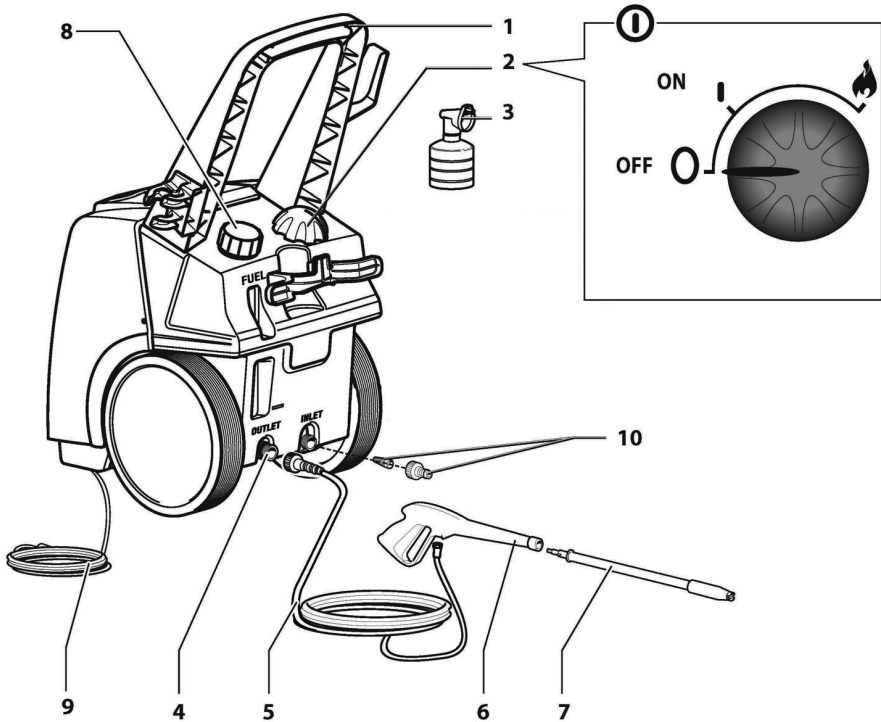


## CONNECT THE HIGH PRESSURE HOSE

1. Push the end of the high pressure hose into the gun assembly as shown.
  - It will click into place when secure.
2. Remove the travel cap from the high pressure hose inlet.
3. Screw the other end of the hose on to the outlet.
  - Tighten the connector hand tight only;- do not use a spanner.
  - Make sure the connection is secure.
4. Connect the other end of the hose to the Gun assembly.



# OVERVIEW



1	Handle
2	OFF/ON/BURNER switch
3	Detergent bottle
4	Water outlet
5	High pressure hose

6	Gun
7	Lance
8	Diesel tank filler cap
9	Power cable
10	Water inlet adaptor + filter



---

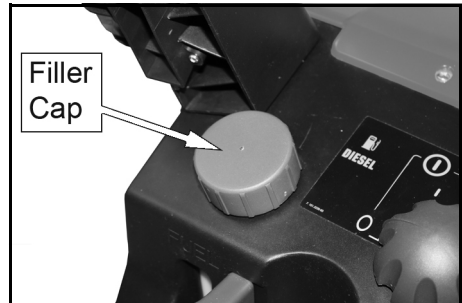
## BEFORE USE

---

### FILL WITH FUEL (DIESEL ONLY)

- Always refuel in a well-ventilated area.
- Do not leave fuel within the reach of children.
- Refuel carefully to avoid spillages.

1. Remove the filler cap.



2. Fill the tank with diesel fuel.

- Maximum 1 litre.

3. Replace the filler cap securely.



**WARNING: INCORRECT FUELS  
MUST NOT BE USED AS THEY MAY  
PROVE HAZARDOUS.**

---

### CONNECT TO A WATER SUPPLY

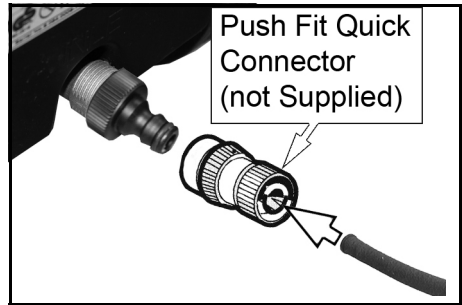
The pressure washer must never be connected to the drinking water supply without using a system separator (also known as a backflow preventer) available from most hardware stores.

Always follow the regulations of your local water supplier.



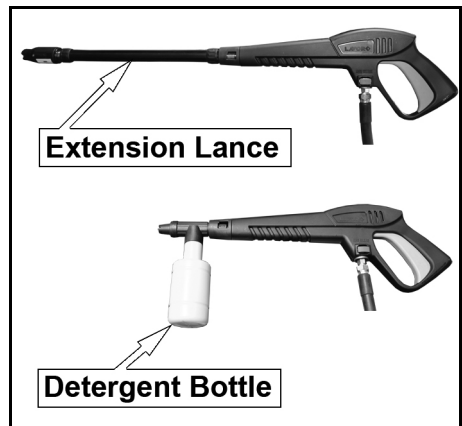
**CAUTION: WATER THAT HAS FLOWED THROUGH A SYSTEM SEPARATOR IS  
CONSIDERED NON-DRINKABLE.**

1. Connect a supply hose to the inlet adaptor.
  - We recommend that you use a push fit quick connector (not supplied).
  - The water supply must be able to deliver at least 7.5 l/min with an inlet temperature not exceeding 40°C.



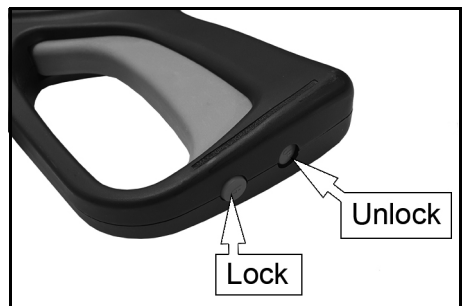
## ATTACH THE EXTENSION LANCE

1. Push the extension lance into the gun assembly and rotate it 90 degrees.
2. The detergent bottle may also be fitted in the same way. (See "Using Detergents" on page 12.).



## GUN ASSEMBLY SAFETY LOCK

1. Push the lock button to prevent the trigger from being pulled.
2. Push the unlock button to release the trigger lock.



# OPERATION

## SWITCHING ON/OFF

1. Rotate the switch to the required setting.
  - 0 - OFF
  - 1 - ON (cold wash)
  - Flame symbol - Hot Wash



## AUTOMATIC STOP SYSTEM

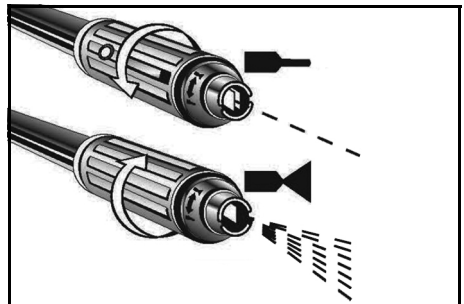
The Automatic Stop System stops the machine during the bypass mode.

The Automatic Stop System will stop the machine and will restart it automatically when the trigger is pulled.

- It is advisable to activate the safety lock on the gun assembly whenever the machine is not being used in order to avoid unintentional starting.
- If the machine starts automatically without pressing the gun trigger this will be attributable to air bubbles in the water or other similar phenomena and does not imply the existence of any defects in the machine.
- Do not leave the machine unattended.
- If you do not intend to use the machine for more than 5 minutes, turn the switch to the (0) OFF position.

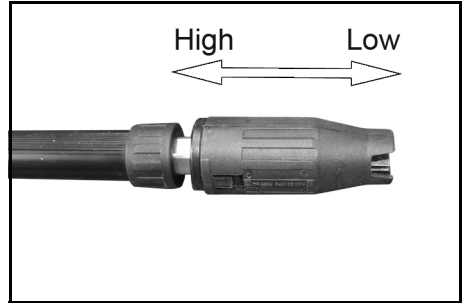
## TO CHANGE THE SPRAY PATTERN (PENCIL JET / FAN SPRAY)

1. Hold the shaft of the lance in one hand.
2. To vary the spray between Pencil Jet and fan spray, turn the nozzle counter-clockwise through a half-a-turn (180°).



## ADJUSTING THE PRESSURE

1. Hold the rear of the nozzle and slide the front of the nozzle forwards for low pressure and backwards for high pressure.
  - Other ways to adjust the pressure include varying the distance you are from the surface being cleaned or adjusting the spray to a wider angle (lowering the pressure).



## USING DETERGENTS



**WARNING: THE USE OF UNSUITABLE CLEANING AGENTS MAY ADVERSELY AFFECT THE SAFETY OF THE MACHINE. DO NOT EXCEED THE CORRECT OPERATING TEMPERATURE FOR THE DETERGENT IN USE.**

Only use detergents recommended for use with pressure washers such as:

- CLARKE Traffic Film Remover which is a powerful 'low foaming' agent for car cleaning, patio cleaning etc.,
  - CLARKE Wash & Wax.
1. Fill the detergent bottle with the required detergent.
  2. Attach the detergent bottle to the gun assembly.

### CONSUMABLES ETC

A range of suitable hoses, shampoo and traffic film remover are available from your CLARKE dealer.

## SHUTTING DOWN

1. Rotate the switch to the OFF (0) setting and remove the mains plug from the power supply.
2. Squeeze the trigger on the gun assembly to remove any pressure in the hose.
3. Disconnect the water supply hose and allow it to drain fully.
4. Disconnect the high pressure hose and allow it to drain fully.

---

## CARE AND MAINTENANCE

---



**WARNING: DISCONNECT THE MACHINE FROM THE POWER SOURCE DURING CLEANING OR MAINTENANCE.**



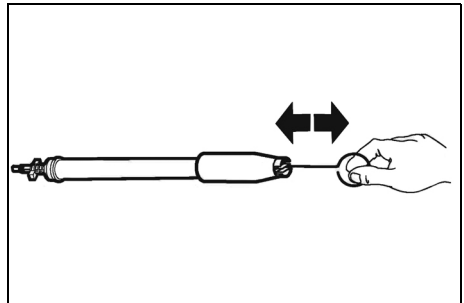
**WARNING: DO NOT SPRAY THE MACHINE WITH WATER AND DO NOT USE DETERGENTS OR AGGRESSIVE SOLVENTS AS THEY COULD DAMAGE THE MACHINE.**

1. Clean the exterior part of the machine with a dry cloth.

### CLEANING THE WATER INLET FILTER:

To ensure the pump gives good service it is extremely important to check and clean the water inlet filter frequently.

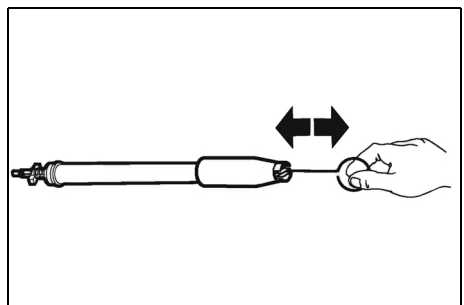
1. Use pliers to extract it from the pump
2. Rinse it carefully in running water.



### CLEANING THE NOZZLE:

A blockage in the nozzle may prevent the machine from operating correctly, so it must be kept clean.

1. Switch off the machine.
2. Remove the lance.
3. Clean the nozzle with the pin provided.
4. Rinse the lance in running water.



## TROUBLESHOOTING

PROBLEM	POSSIBLE CAUSE	SOLUTION
The pump does not start when the switch is pressed.	The plug is not properly connected to the socket.	Connect the plug to the power socket correctly.
	The electrical socket is not working.	Have the electrical socket checked.
	The mains voltage is insufficient.	Check that the system is suitable.
	The gauge of the electrical power lead is too small.	Refer to the section detailing the electrical connection.
	The pump has cut out.	Turn the switch to ON while keeping the gun lever pressed; if the problem persists contact an authorised service centre.
The machine starts, but no water comes out.	Pump, hoses or accessories frozen.	Allow the pump and hoses to thaw.
	No water supply.	Connect the machine to the water supply system and turn on the tap.
	Water Inlet filter fouled.	Remove and clean the filter (see "MAINTENANCE" section).
	Nozzle fouled.	Remove the lance from the gun and clean the nozzle with the pin provided.
The pump runs but pressurisation does not take place.	Insufficient water.	Check that the delivery rate is at least 7.5 l/min.
	Water Inlet filter fouled.	Remove and clean the filter (see "MAINTENANCE" section).
	Lance nozzle worn.	Replace the lance.
	Suction or delivery valves fouled or worn.	Contact an authorised service centre.

Uneven working pressure.	Lance nozzle fouled or dirty.	Remove the lance from the gun and clean the nozzle with the pin provided.
	Air in water supply.	Supply the machine with water correctly.
	Water Inlet filter fouled.	Remove and clean the filter (see "MAINTENANCE" section).
	Suction or delivery valves fouled or worn.	Contact an authorised service centre.
	Gaskets worn.	Contact an authorised service centre.
	Pressure regulator valve gaskets worn.	Contact an authorised service centre.
The motor stops suddenly.	Machine's safety overload cutout has been tripped.	Allow the motor to cool for a few minutes. If the problem persists contact an authorised service centre.
	The gauge of the electrical power lead is too small.	Refer to the section detailing the electrical connection.
Water leaks from the machine.	Leaks from hose reel (if used).	Tighten the couplings; if the problem persists contact an authorised service centre.
	Leaks from intake coupling.	Make sure that the coupling has been fitted correctly (See illustrations in the "INSTALLATION" section).
	Leaks from pump.	Contact an authorised service centre.
Abnormal noise.	Water Inlet filter fouled.	Remove and clean the filter (see "MAINTENANCE" section).
	Intake water temperature too high.	Reduce the temperature below 40°C.
	Suction or delivery valves fouled or worn.	Contact an authorised service centre.
	Bearings worn.	Contact an authorised service centre.
The machine restarts with the gun released.	Water leak from hose - gun connection.	Tighten the connection with 2 spanners.
	Air in intake water.	Supply the machine with water correctly.
	Water leak from the gun.	Contact an authorised service centre.
	Water leak from the pump.	Contact an authorised service centre.

The machine does not suck in detergent.	Tank empty.	Fill the tank.
	Lance handgrip on high pressure setting (if present).	Move it to the low pressure setting by pulling the lever towards the nozzle.
	Transparent suction pipe damaged or disconnected.	Reconnect the pipe. If the problem persists contact an authorised service centre.
Turning on the burner switch the boiler doesn't start.	No fuel.	Check the level in the tank and check whether the rigid suction pipe is clean.
	Fuel filter is clogged.	Contact an authorised service centre.
	Fuel pump is either blocked or burnt out.	Contact an authorised service centre.
	Damaged thermostat.	Contact an authorised service centre.
	Ignition spark insufficient or totally lacking.	Contact an authorised service centre.
	The space among the electrodes is not correct.	Contact an authorised service centre.



---

## PRODUCT SPECIFICATIONS

---

Model Number	Harry
Part Number	7320180
Voltage	230 V / 50 Hz / 1 Phase
Motor Input Power	2300W
Motor Input Current	10 A
Duty Cycle	S1 (continuous)
Max Inlet Water Pressure	10 Bar
Working pressure	110 Bar
Maximum output pressure	145 Bar
Maximum output flow rate	7.5 Litres / min
Maximum output temperature	80°C
Maximum input temperature	40°C
Fuel tank capacity	1 Litre
Detergent capacity	300 ml Bottle
Sound power level ( $L_{WA}$ )	95 dB
Guaranteed sound power level ( $L_{WA}$ )	96 dB
Vibration	1.73 m/s <sup>2</sup>
Uncertainty Factor	15%
Dimensions (L x W x H)	520 x 410 x 767 mm
Weight	26.9 kg

# DECLARATION OF CONFORMITY



**Clarke**<sup>®</sup>  
**INTERNATIONAL**

Hemnall Street, Epping, Essex CM16 4LG

## DECLARATION OF CONFORMITY

This is an important document and should be retained.

**Product Description:** Hot / Cold Pressure Washer

**Model number(s):** Harry

**Serial / batch Number:** 7320180

**Date of Issue:** 04/12/2018

*(Noise Conformity)*

**Notified Body:** n/a

**Technical Documentation Holder:** A.R. Pond  
Clarke International  
2a Shrubland Road  
London E10 7RB  
UK

**Conformity Assessment Procedure:** to 2000/14/EC Annex V

**Manufacturer:** Clarke International

**Noise Related Value:** 450 L/h

**Measured Sound Power Level:** 95 dB

**Guaranteed Sound Power Level:** 96 dB

# DECLARATION OF CONFORMITY



**Clarke**<sup>®</sup>  
**INTERNATIONAL**

Hemnall Street, Epping, Essex CM16 4LG

## DECLARATION OF CONFORMITY

This is an important document and should be retained.

We hereby declare that this product(s) complies with the following directive(s):

- 2014/30/EU *Electromagnetic Compatibility Directive.*
- 2006/42/EC *Machinery Directive.*
- 2011/65/EU *Restriction of Hazardous substances.*
- 2000/14/EC *Noise Emissions Directive, (amended by 2005/88/EC).*

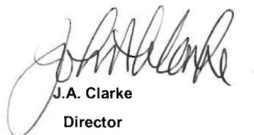
The following standards have been applied to the product(s):

- EN 60335-1:2012+A11:2014, EN 60335-2-79:2016, EN 62233:2008, EN 55014-2:2015,*
- EN 55014-1:2006 +A1:2009+A2:2011, EN 61000-3-2:2014, EN 61000-3-3:2013.*

The technical documentation required to demonstrate that the product(s) meet(s) the requirement(s) of the aforementioned directive(s) has been compiled and is available for inspection by the relevant enforcement authorities.

The CE mark was first applied in: 2018

Signed:



J.A. Clarke  
Director

# A SELECTION FROM THE VAST RANGE OF

# Clarke®

## QUALITY PRODUCTS

### AIR COMPRESSORS

From DIY to industrial, Plus air tools, spray guns and accessories.

### GENERATORS

Prime duty or emergency standby for business, home and leisure.

### POWER WASHERS

Hot and cold, electric and engine driven - we have what you need

### WELDERS

Mig, Arc, Tig and Spot. From DIY to auto/industrial.

### METALWORKING

Drills, grinders and saws for DIY and professional use.

### WOODWORKING

Saws, sanders, lathes, mortisers and dust extraction.

### HYDRAULICS

Cranes, body repair kits, transmission jacks for all types of workshop use.

### WATER PUMPS

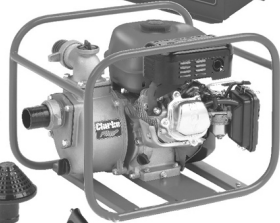
Submersible, electric and engine driven for DIY, agriculture and industry.

### POWERTOOLS

Angle grinders, cordless drill sets, saws and sanders.

### STARTERS/CHARGERS

All sizes for car and commercial use.



**PARTS & SERVICE: 0208 988 7400**  
E-mail: [Parts@clarkeinternational.com](mailto:Parts@clarkeinternational.com) or [Service@clarkeinternational.com](mailto:Service@clarkeinternational.com)  
**SALES: UK 01992 565333 or Export 00 44 (0)1992 565335**

**Clarke** INTERNATIONAL Hemnall Street, Epping, Essex CM16 4LG  
[www.clarkeinternational.com](http://www.clarkeinternational.com)